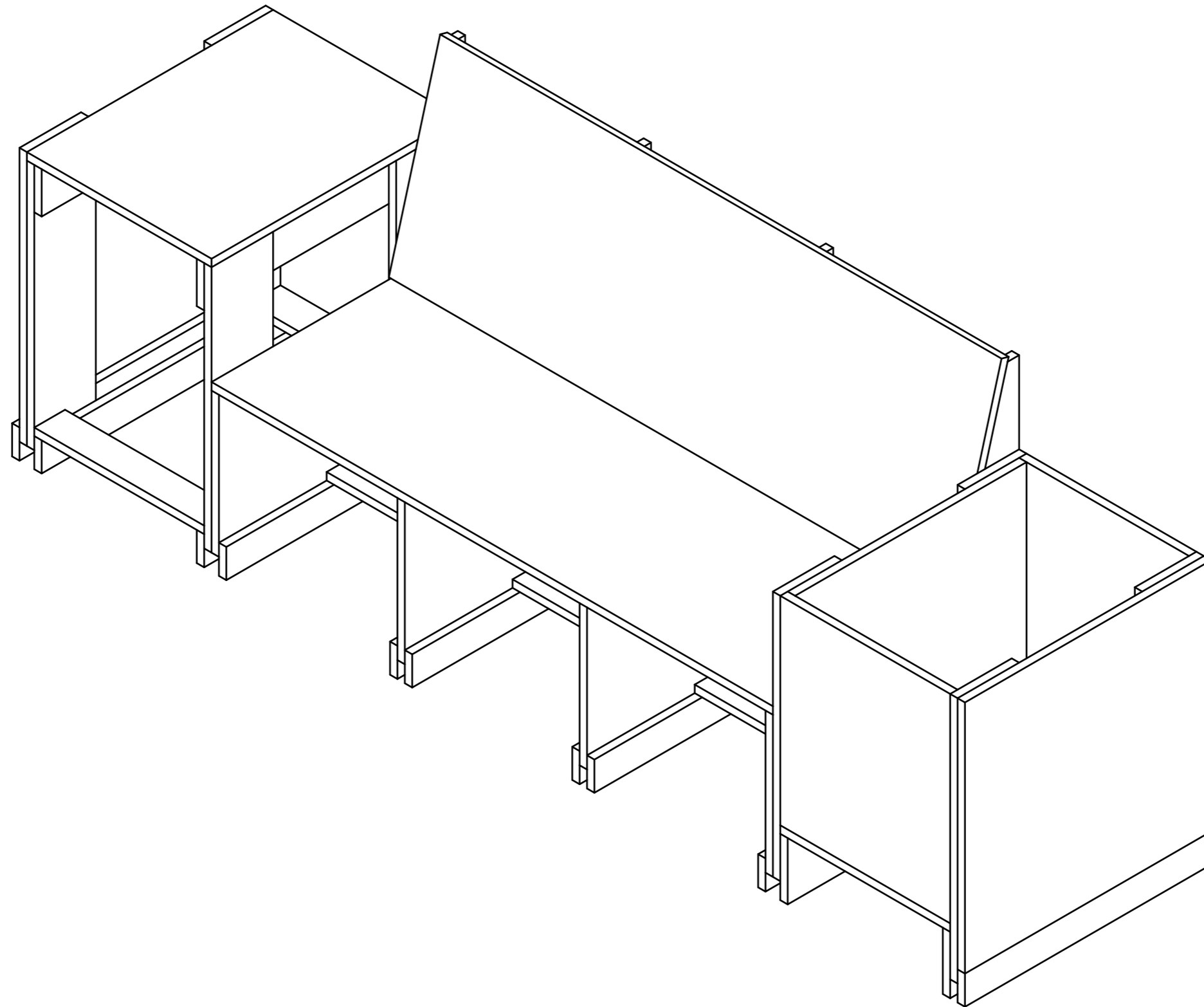


Make your own bench - cutting list and assembly guidelines

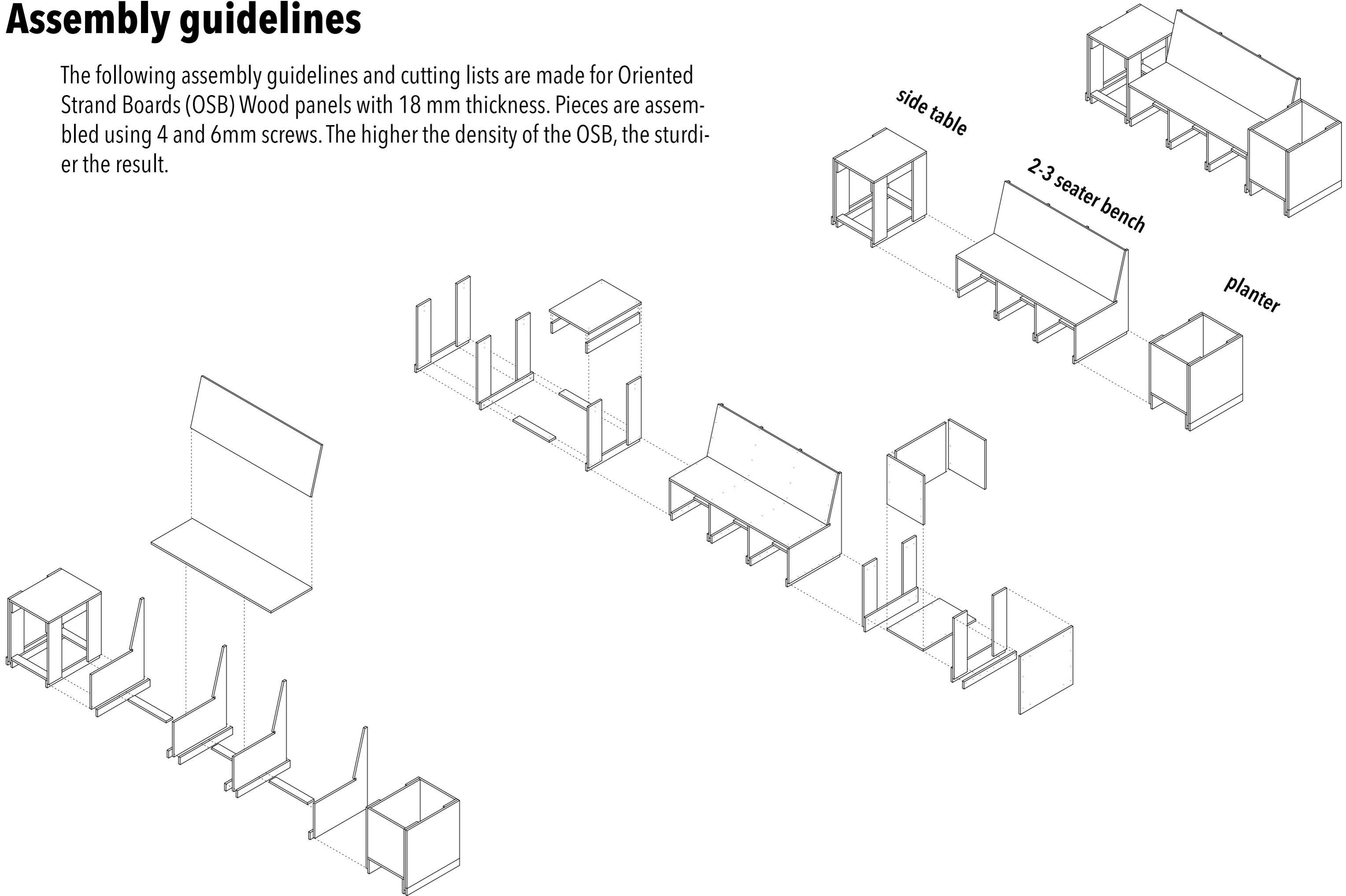
June 2022



Based on the designs produced for Beirut Art Center's From The Rooftops Programme - Woodworking Workshop for Beginners with Sandy Lyen

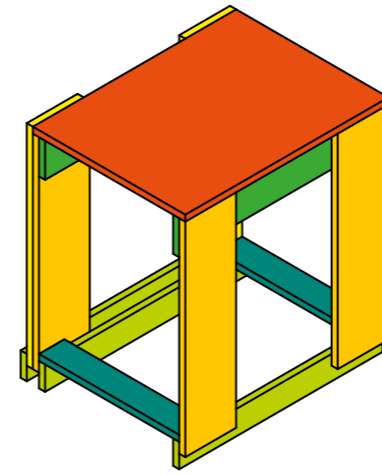
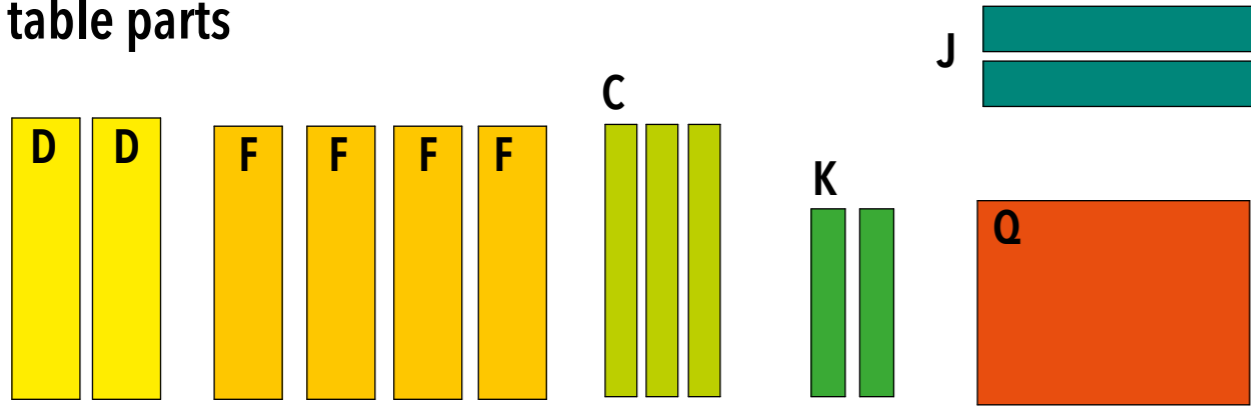
Assembly guidelines

The following assembly guidelines and cutting lists are made for Oriented Strand Boards (OSB) Wood panels with 18 mm thickness. Pieces are assembled using 4 and 6mm screws. The higher the density of the OSB, the sturdier the result.

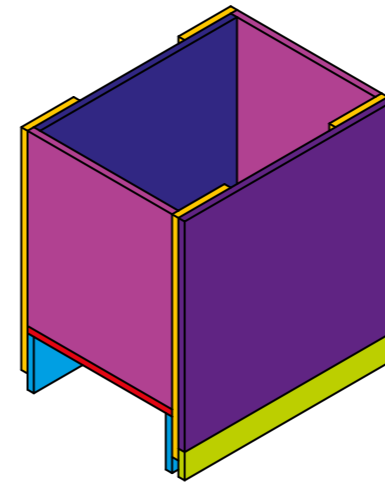
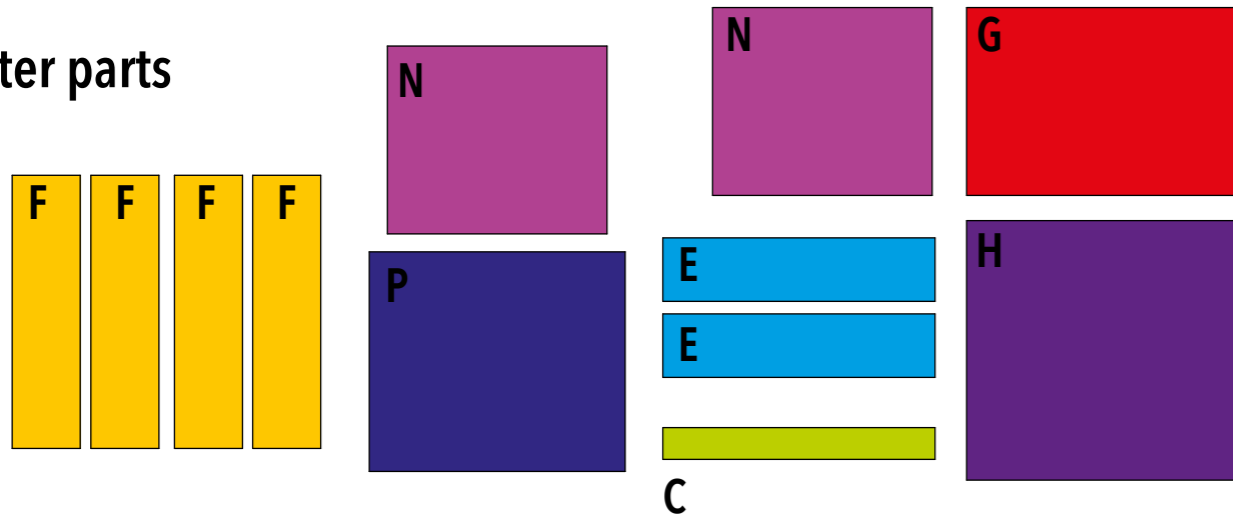


List of parts by item

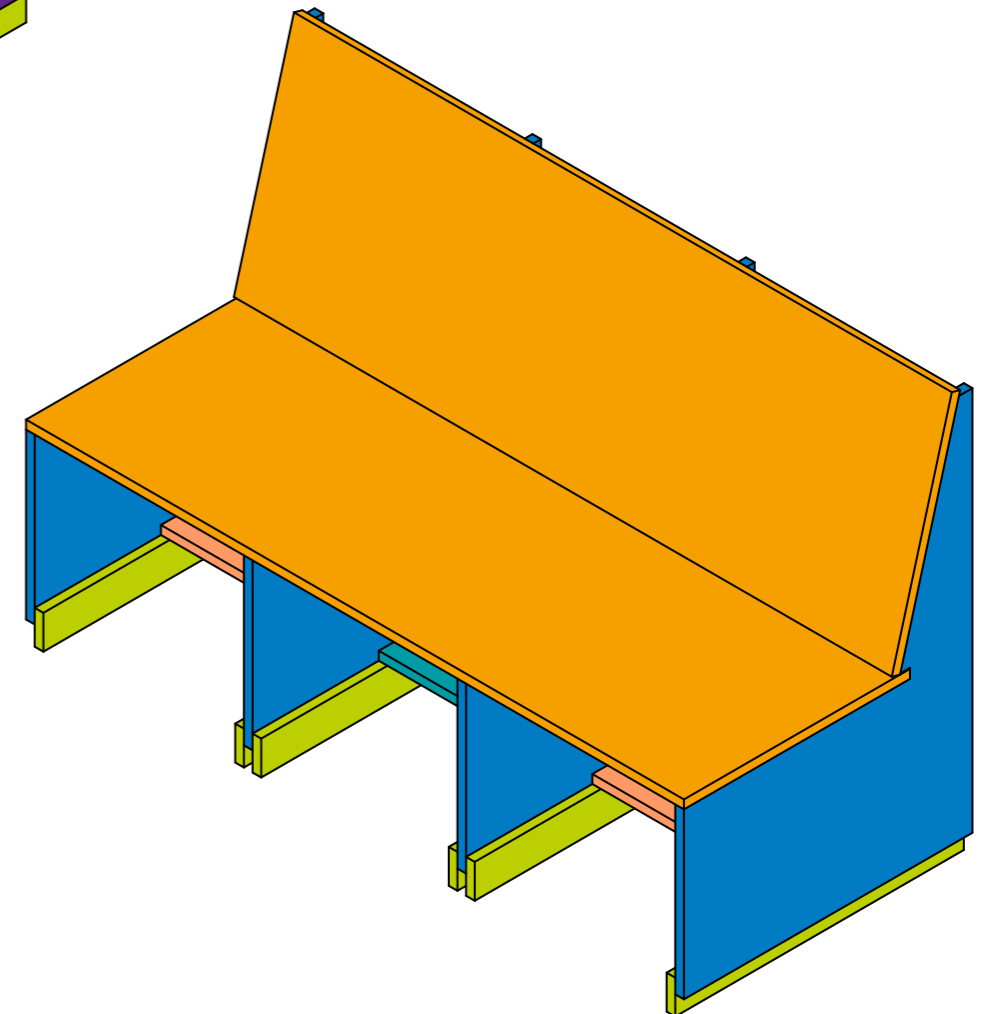
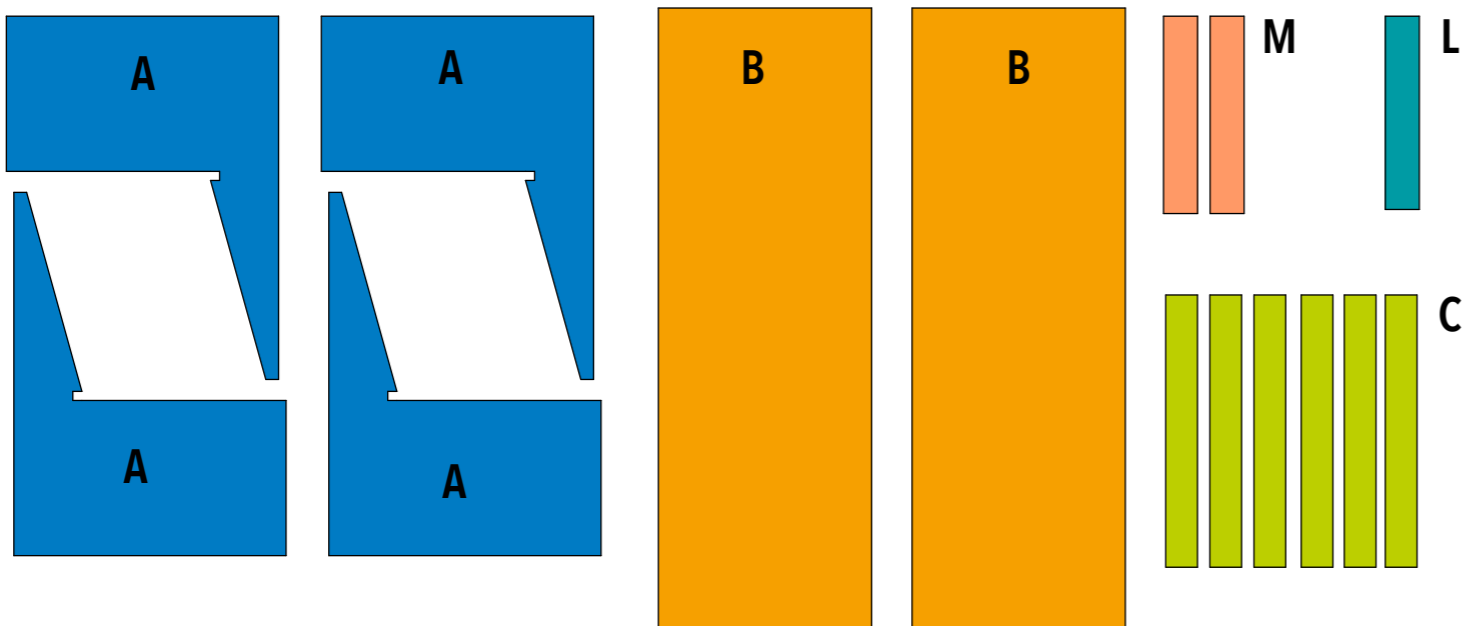
side table parts



planter parts

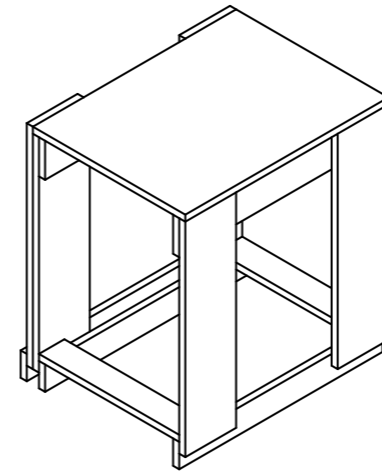
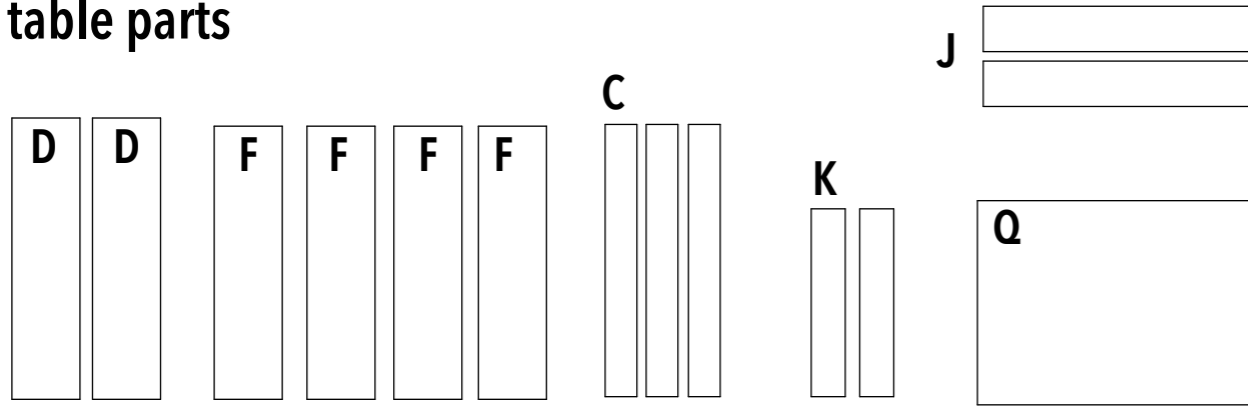


bench parts

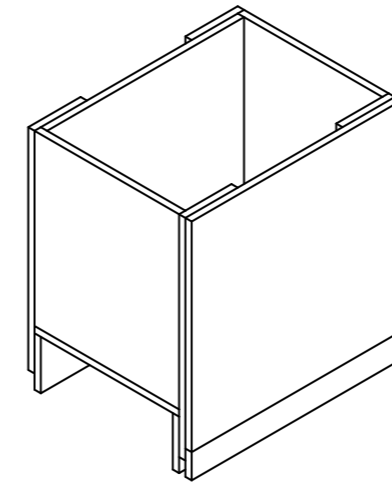
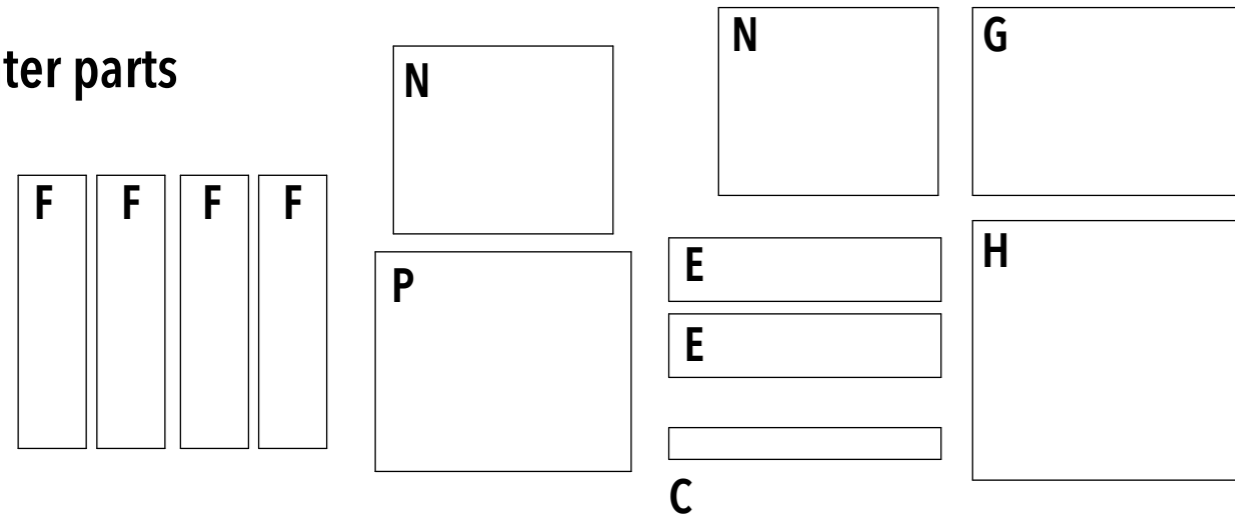


List of parts by item

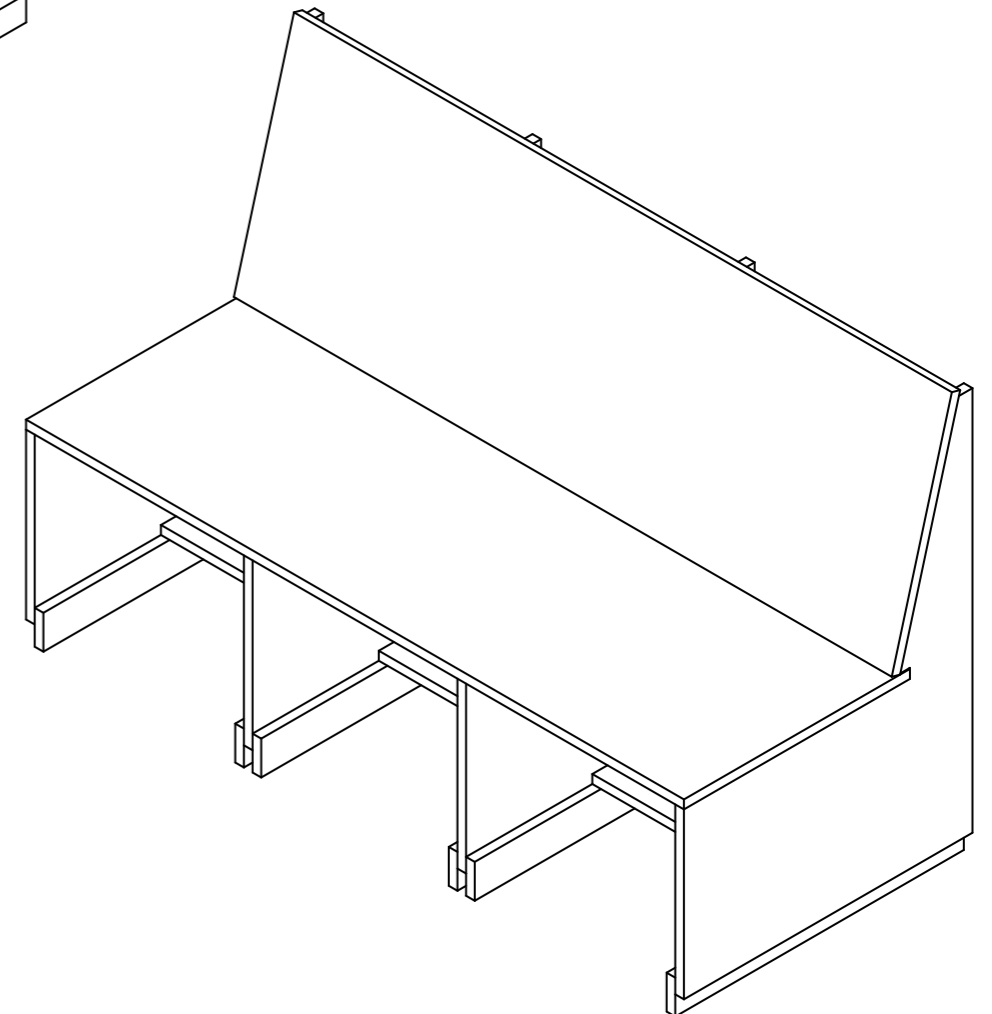
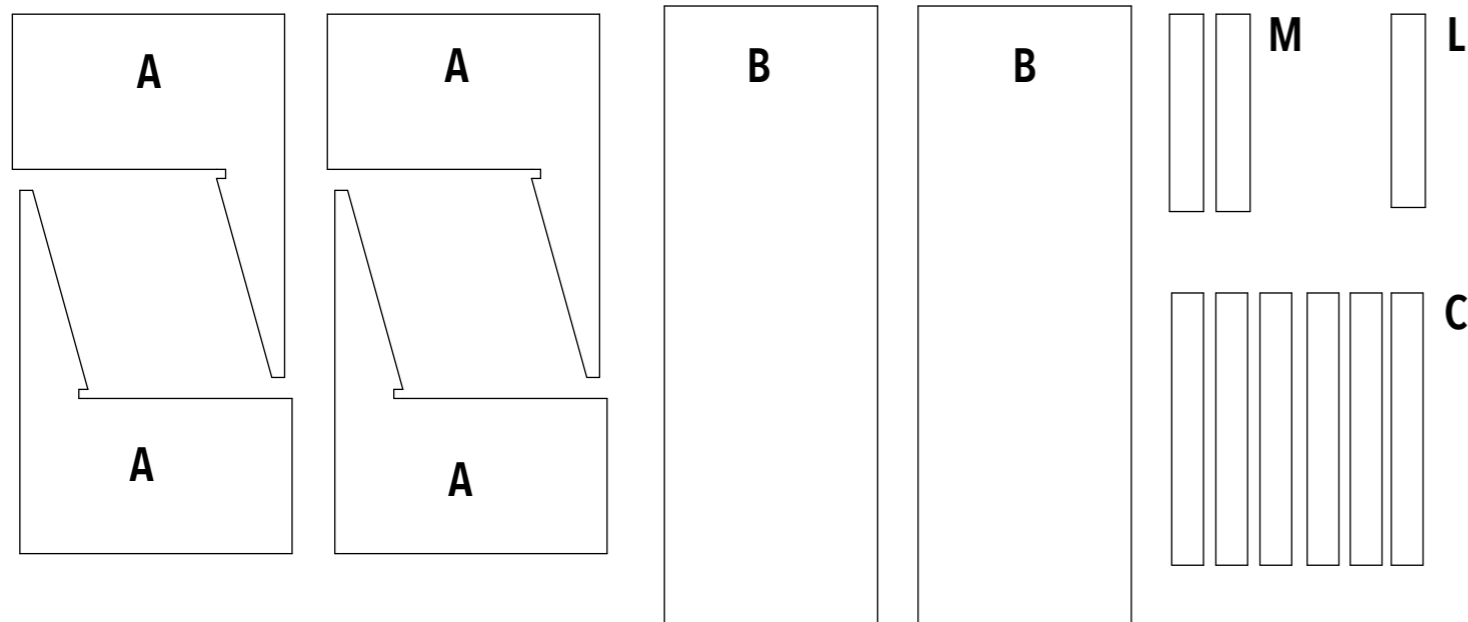
side table parts



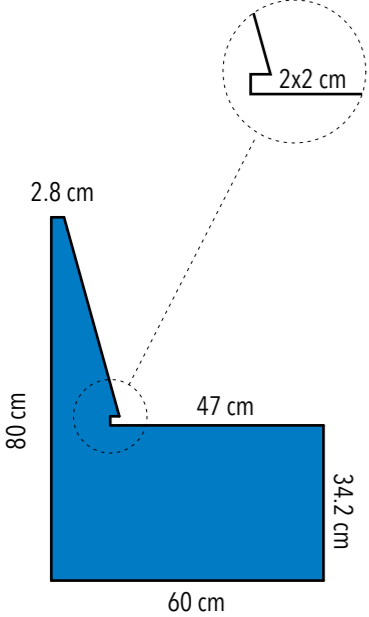
planter parts



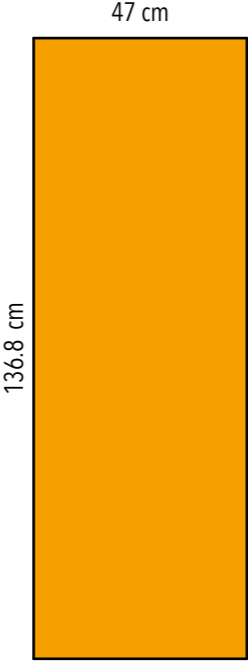
bench parts



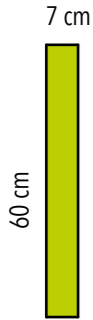
Full cutting list with dimensions



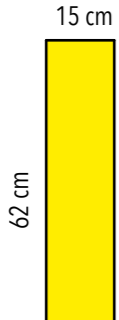
4 units
A



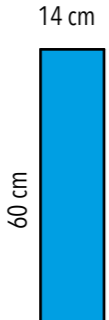
2 units
B



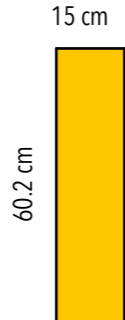
10 units
C



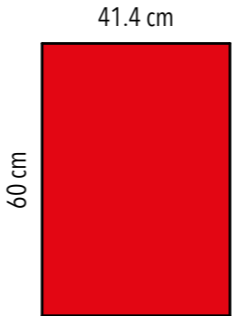
2 units
D



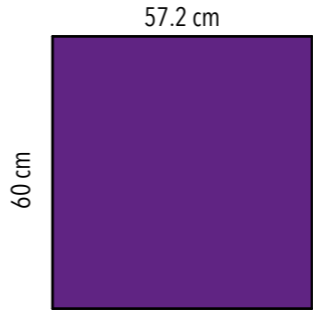
2 units
E



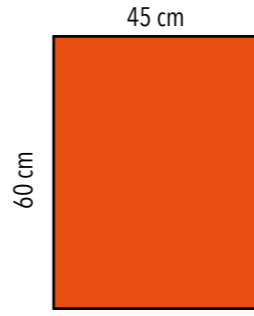
8 units
F



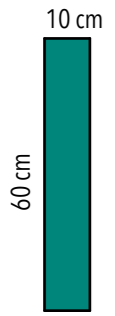
1 unit
G



1 unit
H



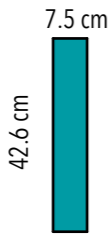
1 unit
Q



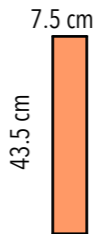
2 units
J



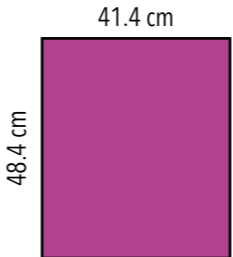
2 units
K



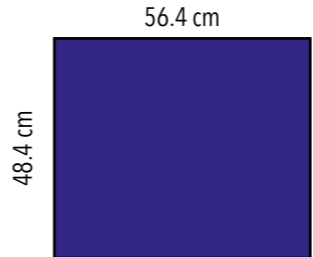
1 unit
L



2 units
M

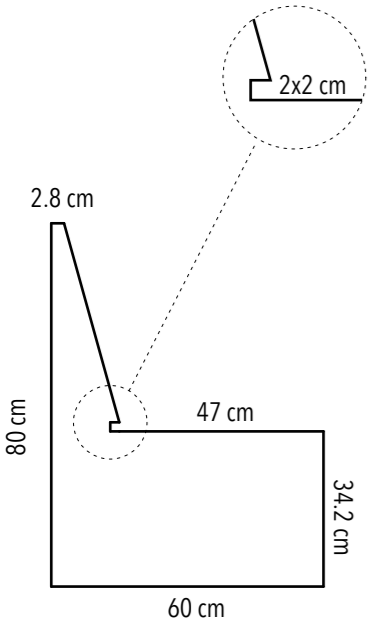


2 units
N

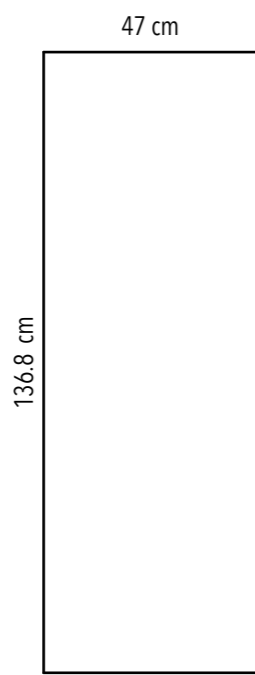


1 unit
P

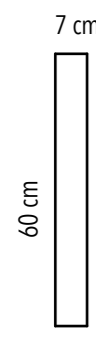
Full cutting list with dimensions



4 units
A



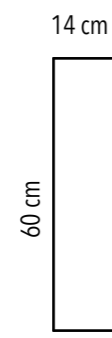
2 units
B



10 units
C



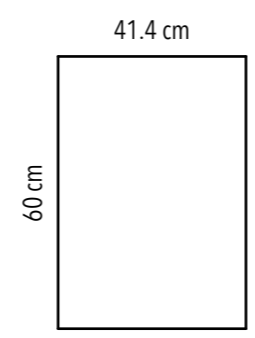
2 units
D



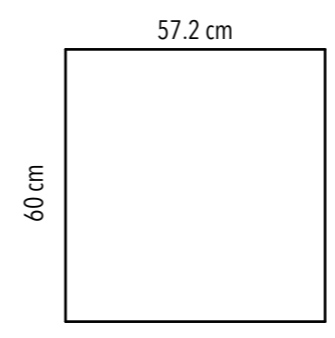
2 units
E



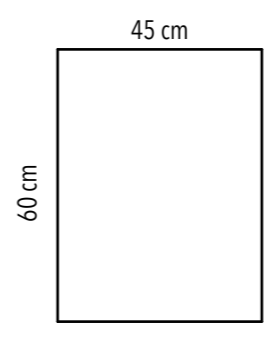
8 units
F



1 unit
G



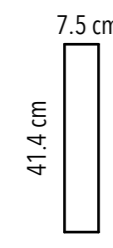
1 unit
H



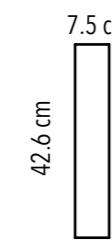
1 unit
Q



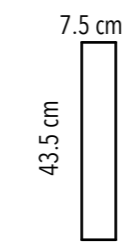
2 units
J



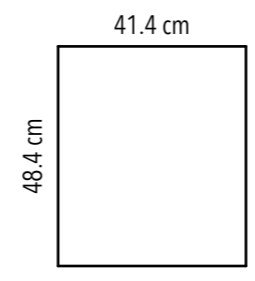
2 units
K



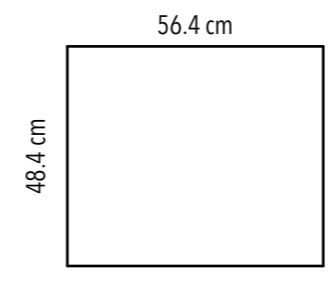
1 unit
L



2 units
M



2 units
N



1 unit
P

Assembly guidelines

